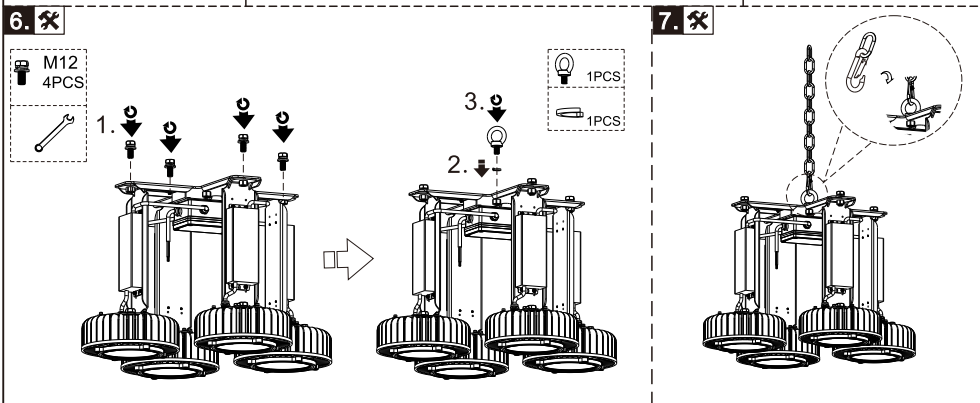
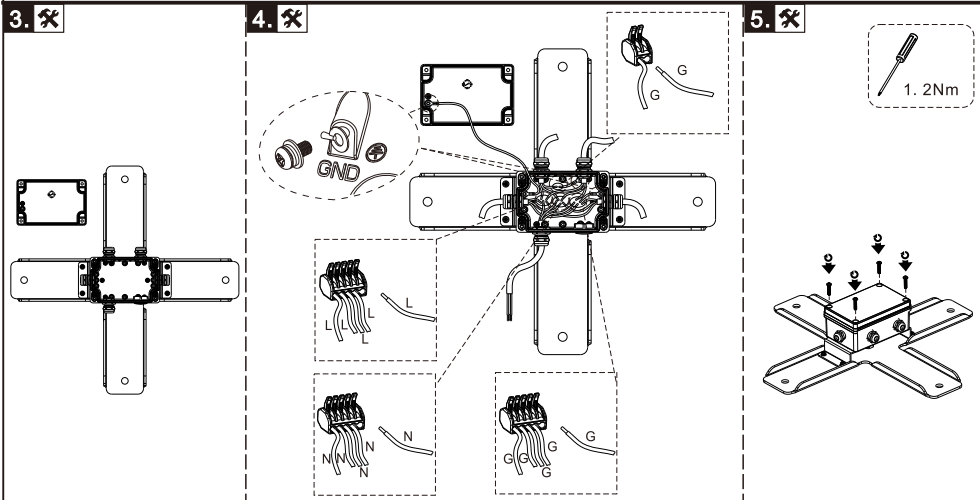


Installation instructions



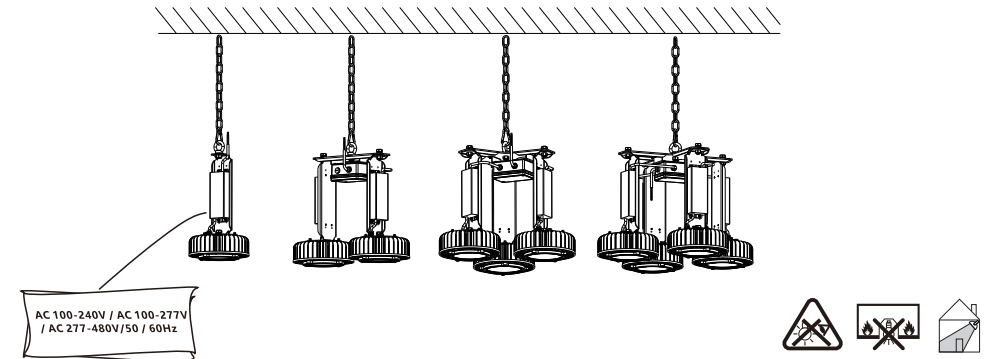
Product Specifications	100W
Input Voltage	AC 100-240V/100-277V/277-480V
Power Frequency	50 / 60 Hz
Size(LxWxH)	Ø220×435mm(Ø8.66"×17.13")
Weight(Driver included)	4.06±0.3kg(8.95±0.66Lbs)
Working Temperature	-30°C to +70°C(-22°F to +158°F)
Storing Temperature	-40°C to +70°C(-40°F to +158°F)

Dimmable			
DIM+ / DA1	blue brown purple white	L	brown black
DIM- / DA2	white blue gray black	N	blue white
⊕ GND	yellow/green green	⊕ GND	yellow/green green

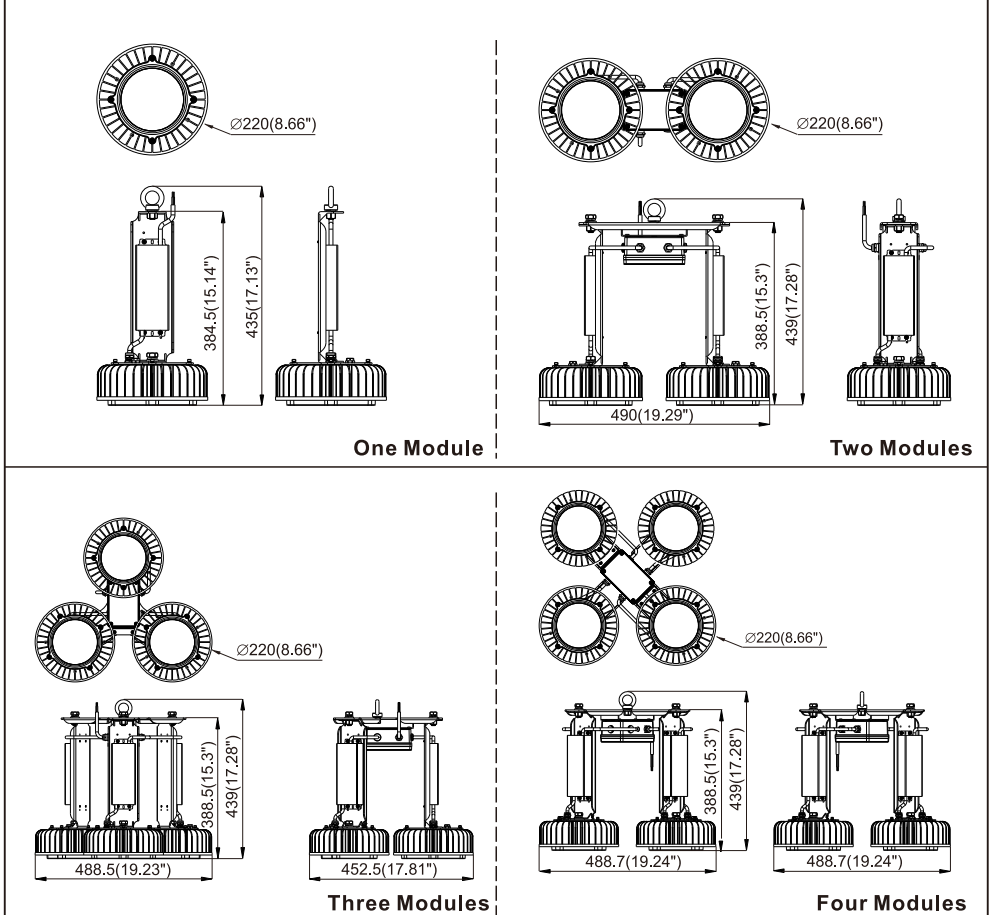
- This luminaire can be indoor use.
- For type Y attachments: if the external flexible cable or cord of this luminaire is damaged, it shall be exclusively replaced by the manufacturer or his service agent or a similar qualified person in order to avoid a hazard.
- The light source contained in this luminaire shall only be replaced by the manufacturer or his service agent or a similar qualified person.

LED High Bay Light

Installation Instructions



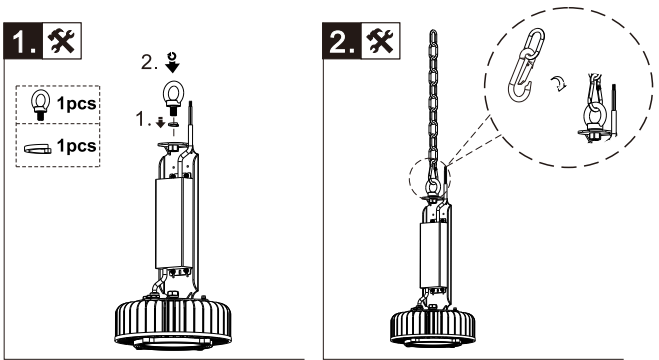
Physical Dimensions(Unit:mm)



Installation instructions

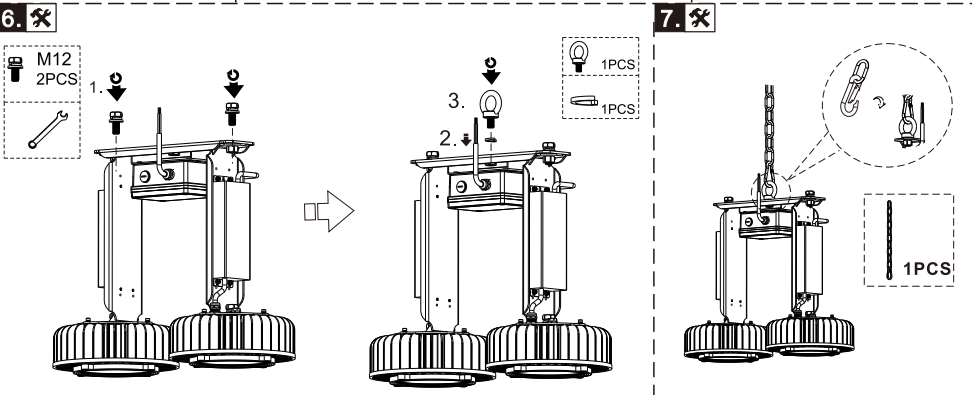
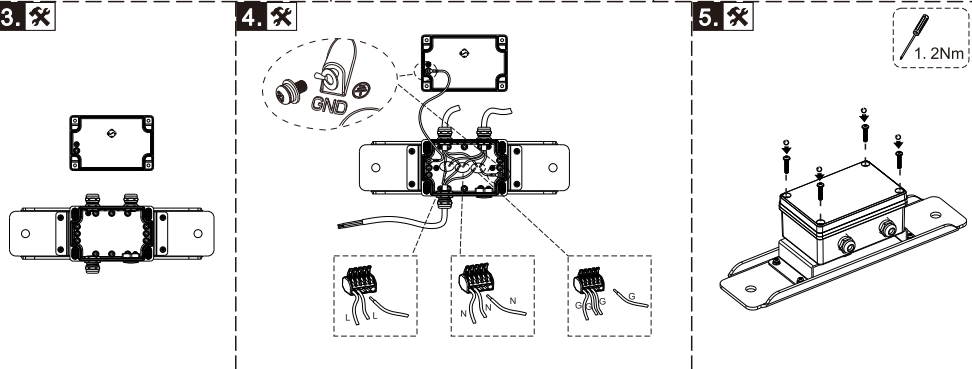
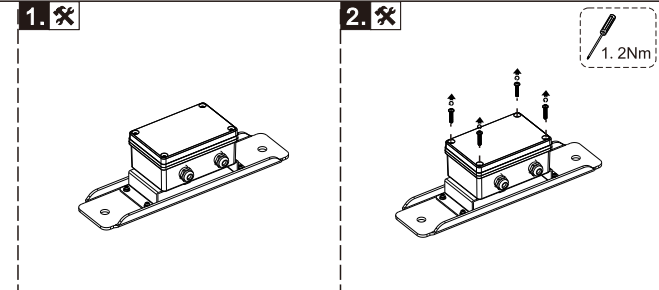
One Module

Packing List	
LED High Bay	1PCS
Lifting Eyebolt M12X16	1PCS
Spring gasket M12	1PCS



Two Modules

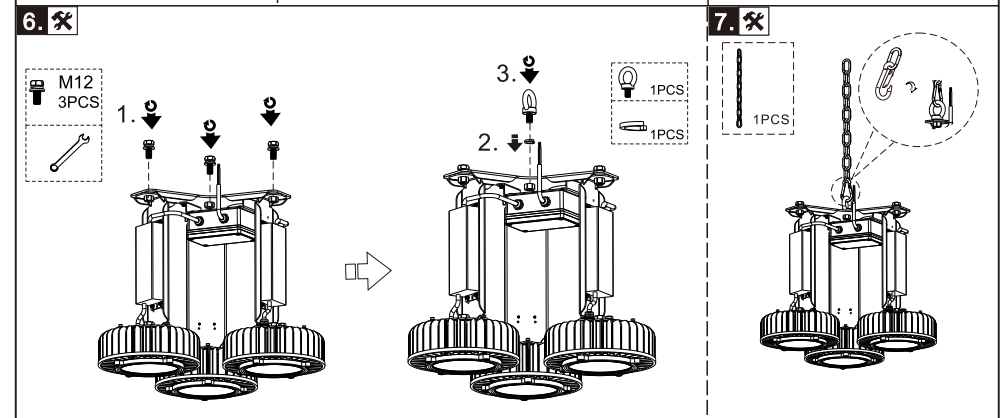
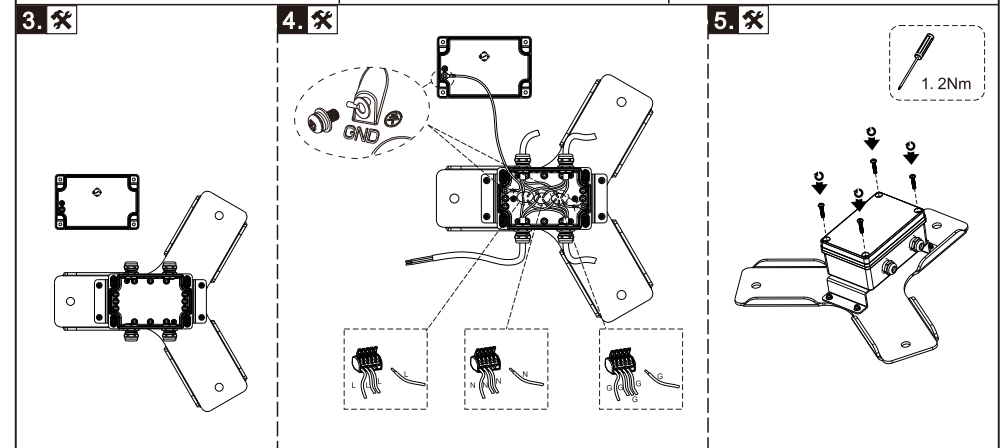
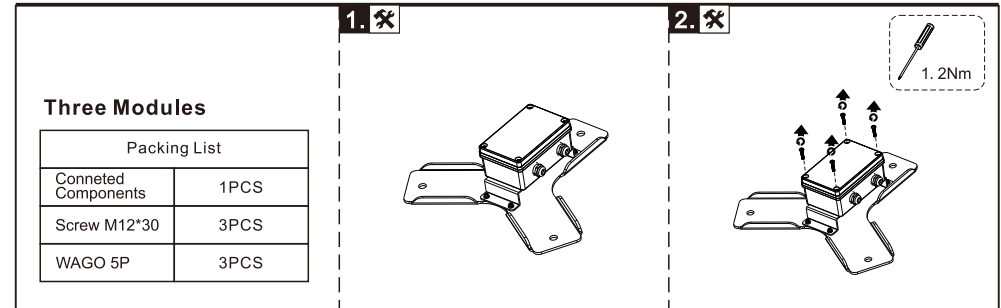
Packing List	
Conneted Components	1PCS
Screw M12*30	2PCS
WAGO 5P	3PCS
Waterproof connectors M20-10	1PCS



Installation instructions

Three Modules

Packing List	
Conneted Components	1PCS
Screw M12*30	3PCS
WAGO 5P	3PCS



Four Modules

Packing List	
Conneted Components	1PCS
Screw M12*30	4PCS
WAGO 5P	3PCS
WAGO 2P	1PCS

