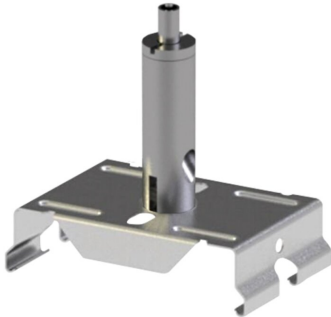


**PRODUCT NO.** 3295-2

**DOTLUX Mounting set incl. 2m cable and LINEAone ceiling cable holder**



to the product page

- Two meters of cable for mounting the LINEAone on the ceiling.

<b>PRODUCT GROUP</b>	EC002557_Mechanisches Zubehör/Ersatzteile für Leuchten	<b>WARRANTY IN YEARS</b>	0
<b>PREDECESSOR ARTICLE</b>	3295	<b>SPARE PART</b>	Nein
<b>WEIGHT IN KG</b>	0.055	<b>ACCESSORY</b>	Yes
<b>Dimensions</b>		<b>TRANSPARENT</b>	No
<b>length:</b> 36mm		<b>MATERIAL</b>	Aluminium
<b>width:</b> 59mm		<b>COLOUR</b>	Aluminium
<b>height:</b> 23mm		<b>BEG FUNDING</b>	Only relevant in Germany
		<b>ELDAS-NR.</b>	941162009
		<b>DIAMETER IN MM</b>	0
		<b>ABMESSUNGEN BREITE MM</b>	59
		<b>ABMESSUNGEN HöHE MM</b>	23
		<b>TYPE OF ACCESSORY/SPARE PART</b>	Other