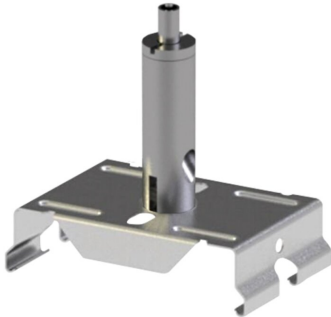


PRODUCT NO. 3295

DOTLUX Mounting set incl. 2m cable and LINEAselect ceiling cable holder



to the product page

- Two-meter cable for mounting the LINEAselect on the ceiling.

PRODUCT GROUP	EC002557_Mechanisches Zubehör/Ersatzteile für Leuchten		
SUCCESSION ARTICLE	-	WARRANTY IN YEARS	0
WEIGHT IN KG	0.06	SPARE PART	Nein
		ACCESSORY	Yes
		TRANSPARENT	No
		MATERIAL	Aluminium
Dimensions		COLOUR	Aluminium
width: 59mm		BEG FUNDING	Only relevant in Germany
height: 23mm		ELDAS-NR.	941901259
length: 36mm		Dimension Length in mm	
		DIAMETER IN MM	0
		ABMESSUNGEN BREITE MM	59
		ABMESSUNGEN HöHE MM	23
		TYPE OF ACCESSORY/SPARE PART	Other